

STI MED PROTECTIVE CABINETS



STI-7533MED

PRODUCT OVERVIEW

Multipurpose cabinets for units which require physical or environmental protection. Helps guard against vandalism (accidental or intentional), as well as dirt, dust and grime. Cabinets mount on the wall enabling the unit to be stored in a central location. Included thumb lock helps deter wrongful users. Additional eyelet can be used for a secondary safety seal. Ideal to protect AEDs (Automated External Defibrillators), medical kits, first aid supplies and much more.

HOW THEY WORK

Constructed of strong, clear polycarbonate (the same material used in football helmets), which allows the unit within to be highly visible from almost any angle. When the cabinet is opened, models with alarm emits an ear piercing siren. The siren/strobe alarm option combines alarm and super bright flashing LEDs. It offers independent strobe and siren timing of 15 seconds, 30 seconds, 60 seconds or continuous. The siren alarm emits for 30 seconds, 3 minutes or continuously (as preset by user). A key override will silence the alarm.

KEY FEATURES

General Information

- Multipurpose polycarbonate cabinets help protect units against physical or environmental protection.
- Includes thumb lock and adjustable wire rack.
- Unlike metal cabinets, this version offers safe, rounded corners. It does not dent and there is no worry of paint chips.
- Three year guarantee against breakage of polycarbonate in normal use (one year on electro mechanical and electronic components).

Design

- Additional eyelet can be used for secondary safety seal.
- Design allows visibility at almost any angle and does not require a sign.

Construction

- Clear polycarbonate.
- Typical working properties of polycarbonate are -40° to 250°F (-40° to 121°C).

Installation

- External mounting tabs or internal drill dimples.
- Includes mounting hardware. Optional gasket and tamperproof mounting screws available.

Options

- Cabinet is available without alarm, with external siren alarm or siren/strobe alarm.

STI-7533MED with Siren Alarm

- Helps deter vandalism and tampering.
- Set for piercing 105 dB warning horn or softer 95 dB (see STI-6400 for complete alarm details).
- Sounds for 30 seconds, 3 minutes or indefinitely (unless disarmed with key supplied or until battery is drained).
- Includes a 9 VDC alkaline battery.

STI-7535MED with Siren/Strobe Alarm

- Alarm and super bright flashing LEDs.
- Independent strobe and siren timing of 15 seconds, 30 seconds, 60 seconds or continuous.
- Siren offers 32 tones (see STI-SA5000 for complete alarm details).
- Low battery indicator and is powered by a 9 VDC alkaline battery (not included) or external 12-13 volts.



STI MED Protective Cabinets

Dimensions and Technical Information

MODELS AVAILABLE

- STI-7531MED** Cover, wire rack, thumb lock
- STI-7533MED** Cover, wire rack, thumb lock, siren alarm
- STI-7535MED** Cover, wire rack, thumb lock, siren/strobe alarm

Accessories

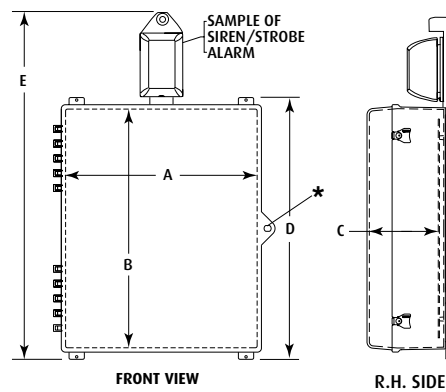
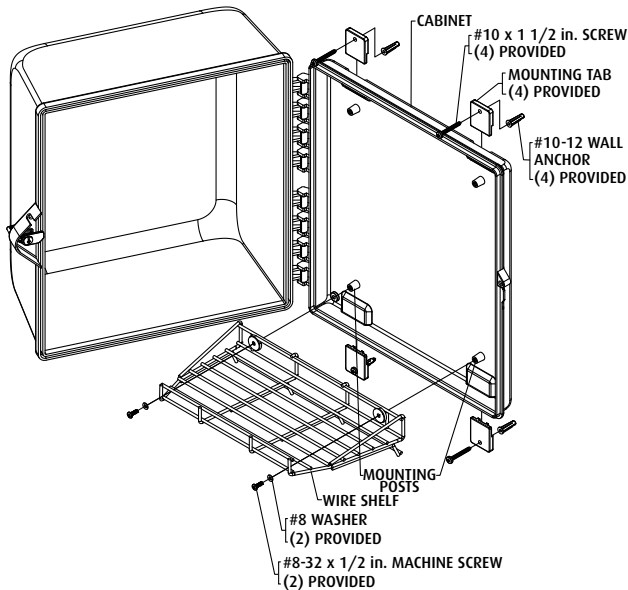
- STI-6453AED** Replacement siren alarm
- KIT-H19032** Replacement keys (2) #2341 for siren alarm
- KIT-6702** Tamperproof screw kit for siren alarm
- STI-SA5000-R** Replacement siren/strobe alarm
- KIT-SA505** Replacement key switch mounting plate for siren/strobe alarm
- KIT-M05050-R** Replacement lens red (also available in amber, blue, green or white) for siren/strobe alarm
- KIT-H18075** Replacement keys (2) for siren/strobe alarm
- KIT-E18151** N.C. reed switch and magnet for siren/strobe alarm
- KIT-G6297530** Optional gasket
- KIT-65** Optional breakaway ties (5 included)
- KIT-W07532** Replacement wire rack (included)

WARRANTY

WARRANTY

Three year guarantee against breakage of polycarbonate in normal use (one year on electro mechanical and electronic components).

	A	B	C	D	E
STI-7531MED	12.2 in.	14.2 in.	6.44 in.	16.5 in.	N/A
STI-7533MED	(310mm)	(360mm)	(164mm)	(419mm)	23 in. (584mm)
STI-7535MED					23.5 in. (597mm)



*Additional eyelet 1/4" diameter



Safety Technology International